

T-BOLT BAND CLAMPS

Standard Items



Ready to Deliver!

Our Most Popular 300 Series Stainless Steel T-Bolt Band Clamps in Standard T-Bolt, Channel Tongue, and Floating Bridge styles.

Clampco T-Bolt Band Clamps provide leak-proof connections in a wide variety of industrial, commercial, and military applications. We manufacture our clamps from 300 series stainless steel with rounded band edges to protect soft hose materials. Our T-Bolt Band Clamps provide high tensile strength, durability, and corrosion resistance. They are the perfect choice for medium and heavy-duty applications.

Clampco T-Bolt Band Clamps are frequently installed on coolant and air-intake systems for construction vehicle, truck, and bus engines. They are also widely used on duct systems, baghouse equipment, irrigation systems, medical equipment, precleaners, and more.





94100, 941RC, and 94170 Series
Band Width = 0.75 in.

ZINC PLATED T-BOLT AND LOCKNUT

Maximum Torque 90 in.-lbs. (dry)

ENGLISH (inches)					
STANDARD T-BOLT NO.	CHANNEL TONGUE NO.	FLOATING BRIDGE NO.	NOMINAL DIAMETER	MINIMUM DIAMETER	MAXIMUM DIAMETER
94100-0125	941RC-0125	94170-0125	1.25	1.11	1.25
94100-0150	941RC-0150	94170-0150	1.50	1.36	1.50
94100-0162	941RC-0162	94170-0162	1.62	1.48	1.62
94100-0175	941RC-0175	94170-0175	1.75	1.62	1.87
94100-0188	941RC-0188	94170-0188	1.88	1.75	2.00
94100-0200	941RC-0200	94170-0200	2.00	1.87	2.12
94100-0212	941RC-0212	94170-0212	2.12	1.93	2.24
94100-0225	941RC-0225	94170-0225	2.25	2.06	2.37
94100-0238	941RC-0238	94170-0238	2.38	2.19	2.50
94100-0250	941RC-0250	94170-0250	2.50	2.31	2.62
94100-0256	941RC-0256	94170-0256	2.56	2.37	2.68
94100-0262	941RC-0262	94170-0262	2.62	2.43	2.74
94100-0275	941RC-0275	94170-0275	2.75	2.56	2.87
94100-0288	941RC-0288	94170-0288	2.88	2.66	2.97
94100-0300	941RC-0300	94170-0300	3.00	2.78	3.09
94100-0312	941RC-0312	94170-0312	3.12	2.90	3.21
94100-0325	941RC-0325	94170-0325	3.25	3.03	3.34
94100-0350	941RC-0350	94170-0350	3.50	3.28	3.59
94100-0375	941RC-0375	94170-0375	3.75	3.53	3.84
94100-0400	941RC-0400	94170-0400	4.00	3.78	4.09
94100-0425	941RC-0425	94170-0425	4.25	4.03	4.34
94100-0450	941RC-0450	94170-0450	4.50	4.28	4.59
94100-0475	941RC-0475	94170-0475	4.75	4.53	4.84
94100-0500	941RC-0500	94170-0500	5.00	4.78	5.09
94100-0550	941RC-0550	94170-0550	5.50	5.28	5.59
94100-0600	941RC-0600	94170-0600	6.00	5.78	6.09
94100-0650	941RC-0650	94170-0650	6.50	6.28	6.59
94100-0700	941RC-0700	94170-0700	7.00	6.78	7.09
94100-0750	941RC-0750	94170-0750	7.50	7.28	7.59
94100-0766	941RC-0766	94170-0766	7.66	7.44	7.75

METRIC (millimeters)		
NOMINAL DIAMETER	MINIMUM DIAMETER	MAXIMUM DIAMETER
31.7	28.2	31.7
38.1	34.5	38.1
41.1	37.6	41.1
45	41	47
48	44	51
51	47	54
54	49	57
57	52	59
60	55	63
63	58	66
65	60	67
67	62	70
69	65	72
73	68	75
76	70	78
79	74	82
82	76	84
88	83	90
95	89	97
101	96	103
107	102	109
114	108	116
120	115	122
127	121	129
139	134	141
152	146	154
165	160	167
178	172	180
190	185	193
194	188	197

When performance is critical – specify Clampco T-Bolt Band Clamps!

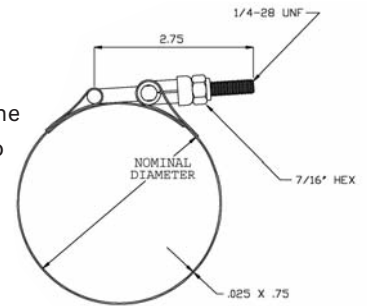
Clampco stock T-Bolt Band Clamps feature all 300 series stainless steel bands and trunnions.

Hardware options include:

- Zinc Plated (T-Bolts and Locknuts)
- Stainless Steel (T-Bolts and Locknuts)

How to order:

Measure the O.D. of your final hose assembly. Select the T-Bolt Band Clamp with the closest nominal diameter.



94106, 94166, and 941QA Series
Band Width = 0.75 in.

STAINLESS STEEL T-BOLT AND LOCKNUT

Maximum Torque 75 in.-lbs. (dry)

ENGLISH (inches)					
STANDARD T-BOLT NO.	CHANNEL TONGUE NO.	FLOATING BRIDGE NO.	NOMINAL DIAMETER	MINIMUM DIAMETER	MAXIMUM DIAMETER
94106-0125	94166-0125	941QA-0125	1.25	1.11	1.25
94106-0150	94166-0150	941QA-0150	1.50	1.36	1.50
94106-0162	94166-0162	941QA-0162	1.62	1.48	1.62
94106-0175	94166-0175	941QA-0175	1.75	1.62	1.87
94106-0188	94166-0188	941QA-0188	1.88	1.75	2.00
94106-0200	94166-0200	941QA-0200	2.00	1.87	2.12
94106-0212	94166-0212	941QA-0212	2.12	1.93	2.24
94106-0225	94166-0225	941QA-0225	2.25	2.06	2.37
94106-0238	94166-0238	941QA-0238	2.38	2.19	2.50
94106-0250	94166-0250	941QA-0250	2.50	2.31	2.62
94106-0256	94166-0256	941QA-0256	2.56	2.37	2.68
94106-0262	94166-0262	941QA-0262	2.62	2.43	2.74
94106-0275	94166-0275	941QA-0275	2.75	2.56	2.87
94106-0288	94166-0288	941QA-0288	2.88	2.66	2.97
94106-0300	94166-0300	941QA-0300	3.00	2.78	3.09
94106-0312	94166-0312	941QA-0312	3.12	2.90	3.21
94106-0325	94166-0325	941QA-0325	3.25	3.03	3.34
94106-0350	94166-0350	941QA-0350	3.50	3.28	3.59
94106-0375	94166-0375	941QA-0375	3.75	3.53	3.84
94106-0400	94166-0400	941QA-0400	4.00	3.78	4.09
94106-0425	94166-0425	941QA-0425	4.25	4.03	4.34
94106-0450	94166-0450	941QA-0450	4.50	4.28	4.59
94106-0475	94166-0475	941QA-0475	4.75	4.53	4.84
94106-0500	94166-0500	941QA-0500	5.00	4.78	5.09
94106-0550	94166-0550	941QA-0550	5.50	5.28	5.59
94106-0600	94166-0600	941QA-0600	6.00	5.78	6.09
94106-0650	94166-0650	941QA-0650	6.50	6.28	6.59
94106-0700	94166-0700	941QA-0700	7.00	6.78	7.09
94106-0750	94166-0750	941QA-0750	7.50	7.28	7.59
94106-0766	94166-0766	941QA-0766	7.66	7.44	7.75

METRIC (millimeters)		
NOMINAL DIAMETER	MINIMUM DIAMETER	MAXIMUM DIAMETER
31.7	28.2	31.7
38.1	34.5	38.1
41.1	37.6	41.1
45	41	47
48	44	51
51	47	54
54	49	57
57	52	59
60	55	63
63	58	66
65	60	67
67	62	70
69	65	72
73	68	75
76	70	78
79	74	82
82	76	84
88	83	90
95	89	97
101	96	103
107	102	109
114	108	116
120	115	122
127	121	129
139	134	141
152	146	154
165	160	167
178	172	180
190	185	193
194	188	197

