

# T-BOLT BAND CLAMPS

## Spring-Loaded Clamps



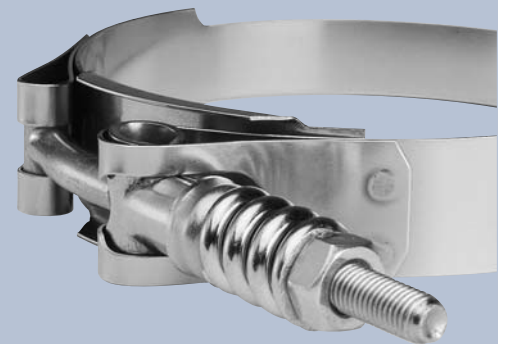
### The Adjustable Advantage

Clampco Spring-Loaded Clamps are designed to compensate for fluctuations in all types of hose line assemblies. When temperature and/or pressure changes cause hose lines to expand or contract, Clampco Spring-Loaded Clamps adjust accordingly to provide constant band tension.

Several additional design advantages make Clampco clamps the preferred solution for critical applications. With 300 series stainless steel bands and trunnions, Clampco Spring-Loaded Clamps provide high strength and corrosion resistance. Solid bands prevent hose extrusions, and rounded band edges protect soft hose materials. Plus, a low amount of installation torque results in high band tension. Band tension, not installation torque, is what ultimately produces desired clamping force.



## CLAMPSCO



### Custom Order

Are you looking for something special? For example, this clamp has a light-duty spring and a notched band. Contact Clampco with your hose application requirements. Our sales engineers will help you design a Spring-Loaded Clamp for your specific application.

We Customize. Call Today.

## CUSTOM

# SPECIFICATIONS



## FEATURES:

Clampco Spring-Loaded Clamps are manufactured with the following components:

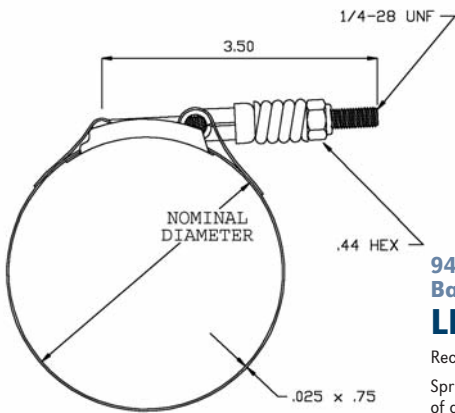
- 300 Series Stainless Steel Bands and Trunnions
- Floating Bridges
- Superior Two-piece Trunnions
- Zinc Plated T-Bolts and Nuts
- One-Piece Springs

## HOW TO ORDER:

Measure the outside diameter (O.D.) of your final hose assembly. Locate the Spring-Loaded Clamp part number with the closest nominal diameter. Recommended installation torque for both light and heavy-duty clamps is 50 in.-lbs.

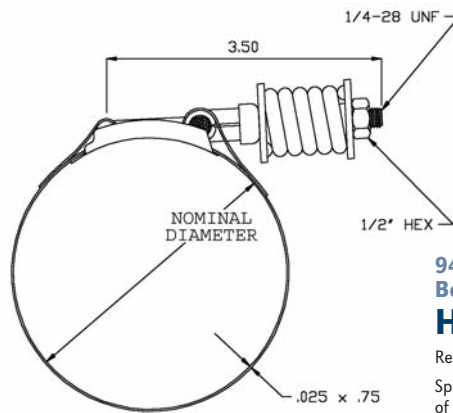
See page 34 for additional information on how to determine the nominal size for your hose clamp application.

Other sizes, styles, and materials are available upon request.



### 94331 & 94143 Series Band Width = 0.75 in. **LIGHT-DUTY**

Recommended Torque 50 in.-lbs.  
Spring rate of 1900 lbs. / in. capable of generating a load of 300 lbs.



### 94158 Series Band Width = 0.75 in. **HEAVY-DUTY**

Recommended Torque 50 in.-lbs.  
Spring rate of 1357 lbs. / in. capable of generating a load of 377 lbs.

#### ENGLISH (inches)

PART NUMBER	NOMINAL DIAMETER	MINIMUM DIAMETER	MAXIMUM DIAMETER
94331-0125	1.25	1.12	1.32
94331-0138	1.38	1.26	1.45
94331-0162	1.62	1.50	1.69
94143-0194	1.94	1.82	2.12
94143-0225	2.25	2.06	2.36
94143-0238	2.38	2.19	2.49
94143-0244	2.44	2.25	2.55
94143-0250	2.50	2.31	2.61
94143-0256	2.56	2.37	2.67
94143-0265	2.65	2.46	2.76
94143-0275	2.75	2.56	2.86
94143-0278	2.78	2.59	2.89
94143-0281	2.81	2.62	2.92
94143-0288	2.88	2.69	2.99
94143-0300	3.00	2.78	3.08
94143-0302	3.02	2.80	3.10
94143-0316	3.16	2.94	3.24
94143-0318	3.18	2.96	3.26
94143-0325	3.25	3.03	3.33
94143-0328	3.28	3.06	3.36
94143-0330	3.30	3.08	3.38
94143-0337	3.37	3.15	3.45
94143-0344	3.44	3.22	3.52
94143-0348	3.48	3.26	3.56
94143-0350	3.50	3.28	3.58
94143-0353	3.53	3.31	3.61
94143-0356	3.56	3.34	3.64
94143-0375	3.75	3.53	3.83
94143-0378	3.78	3.56	3.86
94143-0385	3.85	3.63	3.93
94143-0400	4.00	3.78	4.08
94143-0411	4.11	3.89	4.19
94143-0425	4.25	4.03	4.33
94143-0428	4.28	4.06	4.36
94143-0450	4.50	4.28	4.58
94143-0475	4.75	4.53	4.83
94143-0500	5.00	4.78	5.08
94143-0525	5.25	5.03	5.33
94143-0550	5.50	5.28	5.58
94143-0556	5.56	5.34	5.64
94143-0562	5.62	5.40	5.70
94143-0600	6.00	5.78	6.08
94143-0605	6.05	5.83	6.13
94143-0610	6.10	5.88	6.18
94143-0625	6.25	6.03	6.33
94143-0647	6.47	6.25	6.55
94143-0660	6.60	6.38	6.68
94143-0700	7.00	6.78	7.08
94143-0750	7.50	7.28	7.58
94143-0760	7.60	7.38	7.68
94143-0762	7.62	7.40	7.70
94143-0766	7.66	7.44	7.74
94143-0772	7.72	7.50	7.80
94143-0775	7.75	7.53	7.83
94143-0850	8.50	8.28	8.58
94143-0872	8.72	8.50	8.80

#### METRIC (millimeters)

NOMINAL DIAMETER	MINIMUM DIAMETER	MAXIMUM DIAMETER
31	28	33
35	32	36
41	38	42
49	46	53
57	52	59
60	55	63
61	57	64
63	58	66
65	60	67
67	62	70
69	65	72
70	65	73
71	66	74
73	68	75
76	70	78
76	71	78
80	74	82
80	75	82
82	76	84
83	77	85
83	78	85
85	80	87
87	81	89
88	82	90
88	83	90
89	84	91
90	84	92
95	89	97
96	90	98
97	92	99
101	96	103
104	98	106
107	102	109
108	103	110
114	108	116
120	115	122
127	121	129
133	127	135
139	134	141
141	135	143
142	137	144
152	146	154
153	148	155
154	149	156
158	153	160
164	158	166
167	162	169
177	172	179
190	184	192
193	187	195
193	187	195
194	188	196
196	190	198
198	192	200
215	210	217
221	215	223

#### ENGLISH (inches)

PART NUMBER	NOMINAL DIAMETER	MINIMUM DIAMETER	MAXIMUM DIAMETER
94158-0234	2.34	2.15	2.50
94158-0284	2.84	2.65	3.00
94158-0325	3.25	3.03	3.38
94158-0375	3.75	3.53	3.88
94158-0378	3.78	3.56	3.91
94158-0398	3.98	3.76	4.11
94158-0400	4.00	3.78	4.13
94158-0411	4.11	3.89	4.24
94158-0428	4.28	4.06	4.41
94158-0600	6.00	5.78	6.13
94158-0650	6.50	6.28	6.63

#### METRIC (millimeters)

NOMINAL DIAMETER	MINIMUM DIAMETER	MAXIMUM DIAMETER
59	54	63
72	67	76
82	76	85
95	89	98
96	90	99
101	95	104
101	96	104
104	98	107
108	103	112
152	146	155
165	159	168

